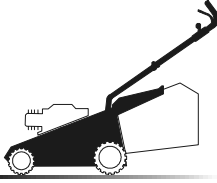


CA 430 - CA 430 S - CA 480

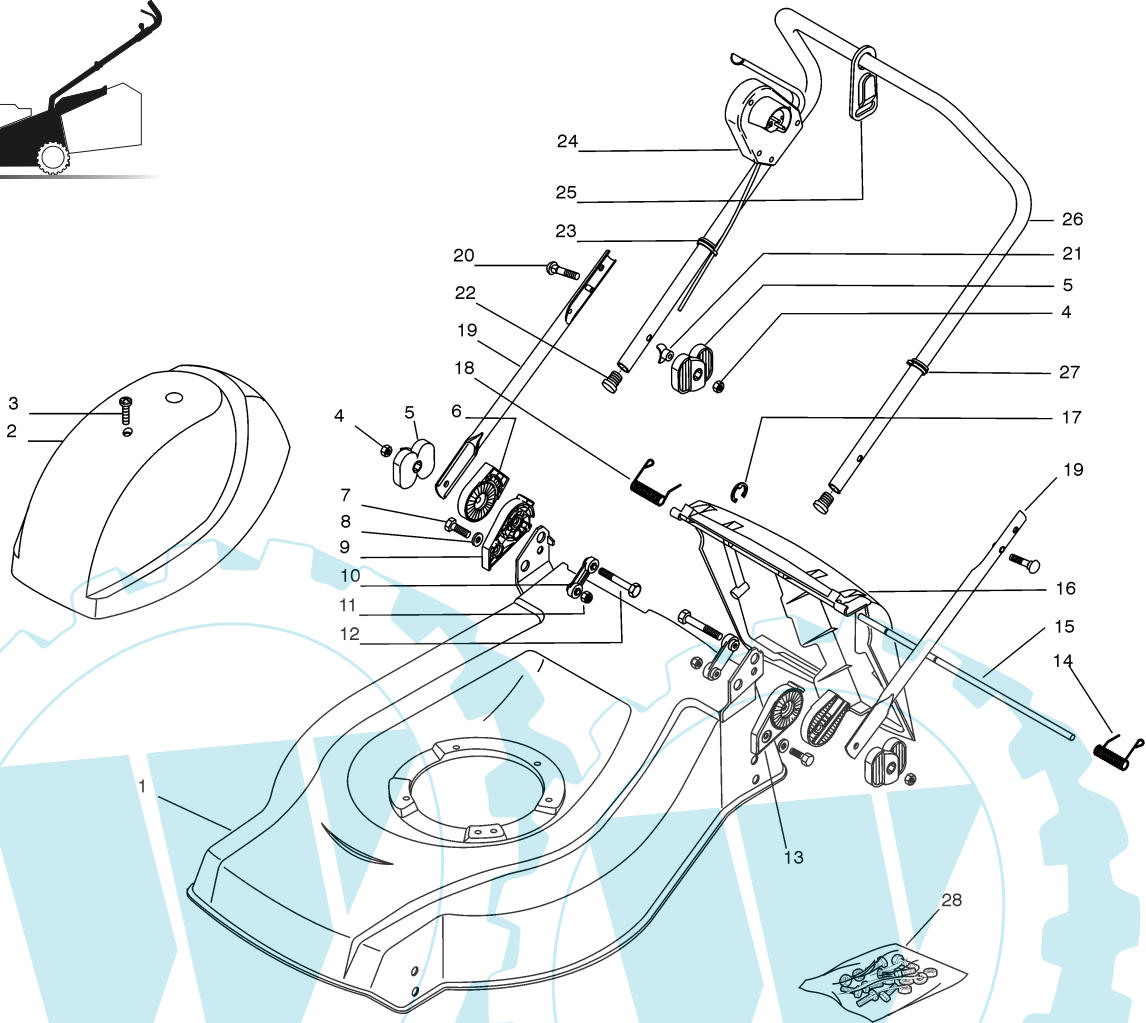
89

GLOBAL GARDEN PRODUCTS

1



01D_CA430



01T.027

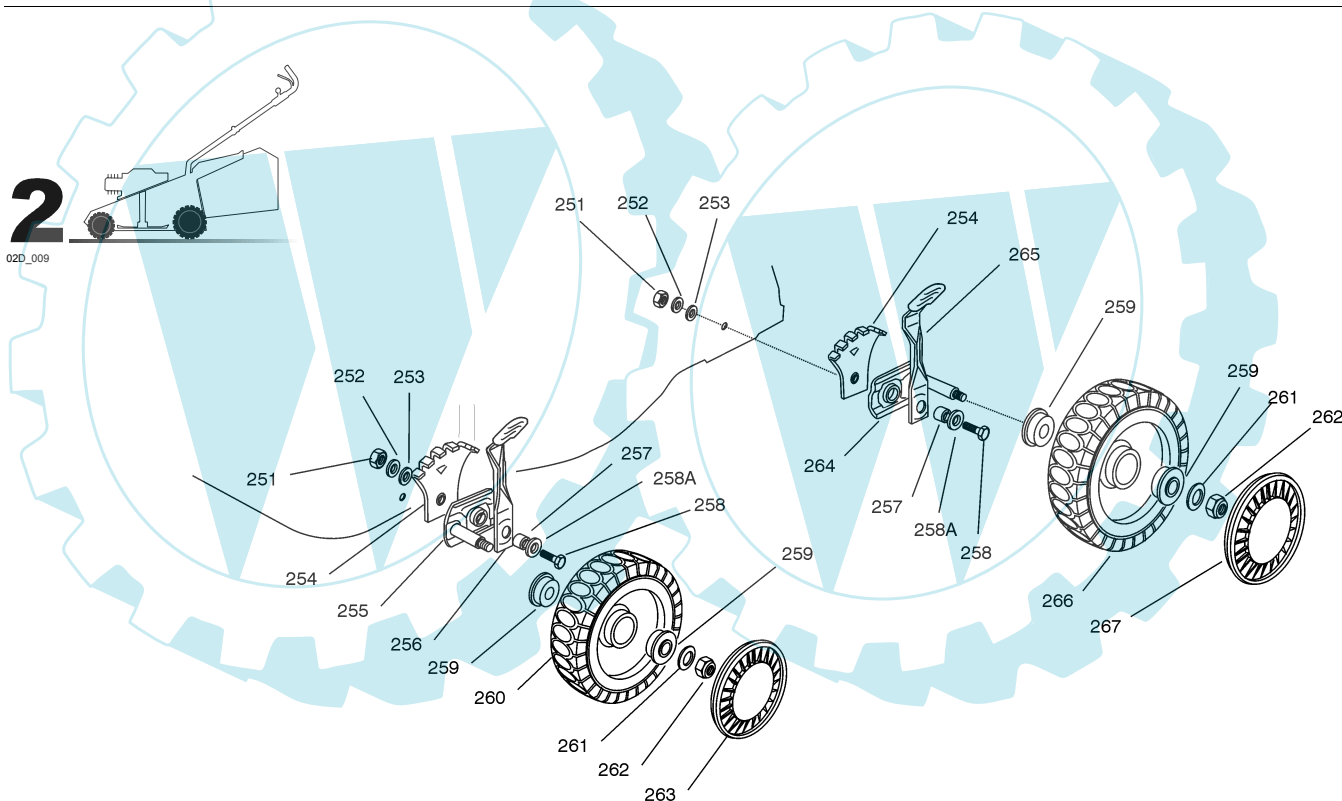
| Pos. | Code | Q.ty | Descrizione | Description | Description | Beschreibung | Remarks |
|------|------------|------|---------------------|---------------------|------------------------------|------------------|---------------------|
| 1 | 81001892/0 | 1 | CHASSIS ROSSO | DECK RED | CHÂSSIS ROUGE | GEHÄUSE ROT | (CA 430 - CA 430 S) |
| - | 81001893/0 | 1 | CHASSIS GIALLO | DECK YELLOW | CHÂSSIS JAUNE | GEHÄUSE GELB | (CA 430 - CA 430 S) |
| - | 81001894/0 | 1 | CHASSIS VERDE | DECK GREEN | CHÂSSIS VERT | GEHÄUSE GRÜN | (CA 430 - CA 430 S) |
| - | 81001800/1 | 1 | CHASSIS ROSSO | DECK RED | CHÂSSIS ROUGE | GEHÄUSE ROT | (CA 480) |
| - | 81001801/0 | 1 | CHASSIS GIALLO | DECK YELLOW | CHÂSSIS JAUNE | GEHÄUSE GELB | (CA 480) |
| - | 81001802/0 | 1 | CHASSIS VERDE | DECK GREEN | CHÂSSIS VERT | GEHÄUSE GRÜN | (CA 480) |
| 2 | 22055058/0 | 1 | CAPOTTINA | COVER | CAPOT | HAUBE | |
| 3 | 12728680/0 | 2 | VITE | SCREW | VIS | SCHRAUBE | |
| 4 | 12293202/0 | 4 | DADO | NUT | ECROU | MUTTER | |
| 5 | 22399803/0 | 4 | MANOPOLINA | KNOB | POIGNÉE | GRIFF | |
| 6 | 22785081/1 | 2 | SUPPORTO ESTERNO | SUPPORT, EXTERNAL | SUPPORT EXTERNE | HALTER, AUßERE | |
| 7 | 12793701/0 | 2 | VITE | SCREW | VIS | SCHRAUBE | |
| 8 | 12521350/0 | 2 | ROSETTA | WASHER | RONDELLE | SCHEIBE | |
| 9 | 22785082/0 | 1 | SUPPORTO INTERNO DX | SUPPORT, R INTERNAL | SUPPORT INTERNE D | HALTER, INNERE R | |
| 10 | 22551575/0 | 2 | PIASTRINA INTERNA | PLATE, INSIDE | PLAQUETTE INTERNE | PLATTE, INNERE | |
| 11 | 12155000/0 | 2 | DADO | NUT | ECROU | MUTTER | |
| 12 | 12691810/0 | 2 | VITE | SCREW | VIS | SCHRAUBE | |
| 13 | 22785083/1 | 1 | SUPPORTO INTERNO SX | SUPPORT, L INTERNAL | SUPPORT INTERNE G | HALTER, INNERE L | |
| 14 | 22450420/1 | 1 | MOLLA SX | L SPRING | RESSORT G | LINKE FEDER | |
| 15 | 22517906/1 | 1 | PERNO | PIN | PIVOT | BOLZEN | |
| 16 | 22600063/1 | 1 | PARASASSI | STONE-GUARD | PARE-PIERRES | PRALLBLECH | |
| 17 | 12000930/0 | 1 | ANELLO ELASTICO | SNAP RING | ANNEAU RESSORT | SPRENGRING | |
| 18 | 22450410/1 | 1 | MOLLA DX | R SPRING | RESSORT D | RECHTE FEDER | |
| 19 | 81006975/0 | 2 | MANICO, PARTE INF | HANDLE, LOWER PART | MANCHERON, PARTIE INFÉRIEURE | HOLM, UNTERTEIL | |

CA 430 - CA 430 S - CA 480

GLOBAL GARDEN PRODUCTS

01T.027

| Pos. | Code | Q.ty | Descrizione | Description | Description | Beschreibung | Remarks |
|------|------------|------|-----------------------------------|--|--|---|------------------------------|
| 20 | 12819125/0 | 2 | VITE | SCREW | VIS | SCHRAUBE | |
| 21 | 22680006/1 | 2 | ROSETTA | WASHER | RONDELLE | SCHEIBE | |
| 22 | 18566112/0 | 2 | PUNTALE | CAP | BOUCHON | GUMMISTOPFEN | |
| 23 | 22192000/1 | 2 | FASCETTA ANCORAGGIO | ANCHOR CLAMP | COLLIER ANCRAGE | BOWDENZUGHALTER | |
| 24 | 18710604/0 | 1 | SALVAMOTORE | DEAD HAND SWITCH | INT. MAIN MORTE | TOT MANSCHALTER | 10A 602 MS |
| - | 18710572/0 | 1 | SALVAMOTORE | DEAD HAND SWITCH | INT. MAIN MORTE | TOT MANSCHALTER | 10A 603 MS (ONLY FOR CH) |
| - | 18710628/0 | 1 | SALVAMOTORE | DEAD HAND SWITCH | INT. MAIN MORTE | TOT MANSCHALTER | 10A 607 MS (ONLY FOR NZ-AUS) |
| - | 18710634/0 | 1 | SALVAMOTORE - SENZA PROT. TERMICA | DEAD HAND SWITCH - WITHOUT OVERLOAD PROTECTION | INT. MAIN MORTE - SANS PROTECTION TERMIQUE | TOT MANSCHALTER - OHNE THERMISCHER SCHUTZ | 602 MS |
| - | 18710627/1 | 1 | SALVAMOTORE - SENZA PROT. TERMICA | DEAD HAND SWITCH - WITHOUT OVERLOAD PROTECTION | INT. MAIN MORTE - SANS PROTECTION TERMIQUE | TOT MANSCHALTER - OHNE THERMISCHER SCHUTZ | 603 MS (ONLY FOR CH) |
| 25 | 22195101/3 | 1 | FERMACAVO | FAIRLEAD | FIXATION CABLE | KABELBEFESTIGUNG | |
| 26 | 81007037/0 | 1 | MANICO, PARTE SUP | HANDLE, UPPER PART | MANCHERON, PARTIE SUPERIEURE | HOLM, OBERTEIL | |
| 27 | 22192151/0 | 1 | FERMACAVO | FAIRLEAD | FIXATION CABLE | KABELBEFESTIGUNG | |
| 28 | 81008632/0 | 1 | DOTAZIONE VITERIA | OUTFIT, SCREWS | DOTATION VISSERIE | SATZ, SCHRAUBEN | |



02T.016

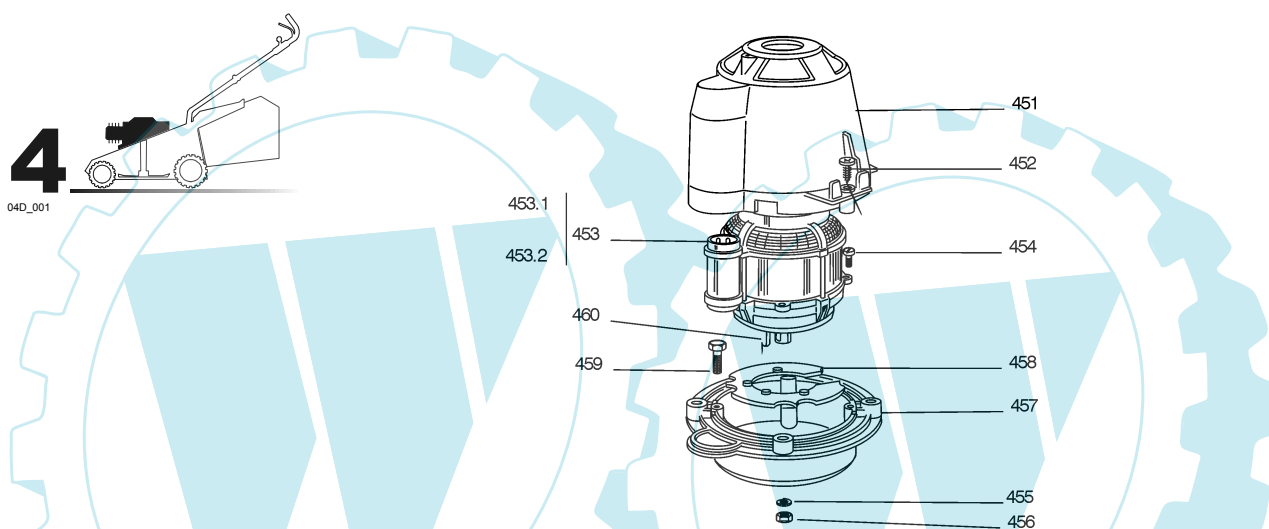
| Pos. | Code | Q.ty | Descrizione | Description | Description | Beschreibung | Remarks |
|------|------------|------|-----------------------------|---------------------------|-------------------------|-------------------------|---------|
| 251 | 12293200/0 | 4 | DADO | NUT | ECROU | MUTTER | |
| 252 | 12583500/0 | 4 | GROWER | GROWER | GROWER | FEDERRING | |
| 253 | 12523070/0 | 4 | ROSETTA | WASHER | RONDELLE | SCHEIBE | |
| 254 | 22735547/0 | 4 | SETTORE REGOLAZIONE ALTEZZA | SECTOR, HEIGHT ADJUSTMENT | SECTEUR REGLAGE HAUTEUR | SEKTOR, HÖHEVERSTELLUNG | |
| 255 | 81005082/0 | 2 | SUPPORTO RUOTA | SUPPORT, WHEEL | SUPPORT ROUE | HALTER, RAD | |
| 256 | 81003285/1 | 2 | LEVA REGOLAZIONE ALTEZZA | LEVER, HEIGHT ADJUSTMENT | LEVIER, REGLAGE HAUTEUR | HEBEL, HÖHEVERSTELLUNG | |
| 257 | 22171001/0 | 4 | DISTANZIALE | SPACER | ENTRETOISE | DISTANZRING | |
| 258 | 12793701/0 | 4 | VITE | SCREW | VIS | SCHRAUBE | |
| 258A | 12521350/0 | 4 | ROSETTA | WASHER | RONDELLE | SCHEIBE | |
| 259 | 22034508/0 | 8 | BUSSOLA | BUSH | DOUILLE | BUCHSE | |
| 260 | 81007336/0 | 2 | RUOTA SCOLPITA Ø 170 | WHEEL, KNOBBLY Ø 170 | ROUE SCULPTEE Ø 170 | RAD M. STOLLENPR. Ø 170 | |
| 261 | 12523060/0 | 4 | ROSETTA | WASHER | RONDELLE | SCHEIBE | |

CA 430 - CA 430 S - CA 480

GLOBAL GARDEN PRODUCTS

02T.016

| Pos. | Code | Q.ty | Descrizione | Description | Description | Beshreibung | Remarks |
|------|------------|------|--------------------------|--------------------------|-------------------------|-------------------------|---------|
| 262 | 12155000/0 | 4 | DADO | NUT | ECROU | MUTTER | |
| 263 | 22110282/0 | 2 | COPRIMOZZO BIANCO | HUB CAP WHITE | COUVRE-MOYEU BLANC | RADKAPPE WEIßE | |
| - | 22110288/0 | 2 | COPRIMOZZO GIALLO | HUB CAP YELLOW | COUVRE-MOYEU JAUNE | RADKAPPE GELBE | |
| - | 22110290/0 | 2 | COPRIMOZZO ROSSO | HUB CAP RED | COUVRE-MOYEU ROUGE | RADKAPPE ROTE | |
| - | 22110300/0 | 2 | COPRIMOZZO GRIGIO | HUB CAP GREY | COUVRE-MOYEU GRIS | RADKAPPE GRAU | |
| 264 | 81005084/0 | 2 | SUPPORTO RUOTA | SUPPORT, WHEEL | SUPPORT ROUE | HALTER, RAD | |
| 265 | 81003286/0 | 2 | LEVA REGOLAZIONE ALTEZZA | LEVER, HEIGHT ADJUSTMENT | LEVIER, REGLAGE HAUTEUR | HEBEL, HÖHEVERSTELLUNG | |
| 266 | 81007337/0 | 2 | RUOTA SCOLPITA Ø 210 | WHEEL, KNOBBLY Ø 210 | ROUE SCULPTEE Ø 210 | RAD M. STOLLENPR. Ø 210 | |
| 267 | 22110281/0 | 2 | COPRIMOZZO BIANCO | HUB CAP WHITE | COUVRE-MOYEU BLANC | RADKAPPE WEIßE | |
| - | 22110287/0 | 2 | COPRIMOZZO GIALLO | HUB CAP YELLOW | COUVRE-MOYEU JAUNE | RADKAPPE GELBE | |
| - | 22110289/0 | 2 | COPRIMOZZO ROSSO | HUB CAP RED | COUVRE-MOYEU ROUGE | RADKAPPE ROTE | |
| - | 22110301/0 | 2 | COPRIMOZZO GRIGIO | HUB CAP GREY | COUVRE-MOYEU GRIS | RADKAPPE GRAU | |



04T.001

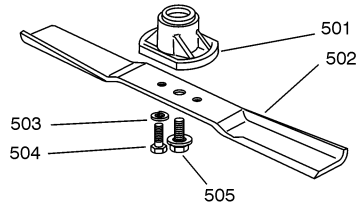
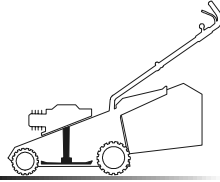
| Pos. | Code | Q.ty | Descrizione | Description | Description | Beshreibung | Remarks |
|-------|------------|------|------------------------|--------------------|------------------------|-------------------|--------------|
| 451 | 22785061/0 | 1 | SUPPORTO CAPOTTINA | SUPPORT, COVER | SUPPORT CAPOT | HALTER, HAUBE | |
| 452 | 12728710/0 | 4 | VITE | SCREW | VIS | SCHRAUBE | |
| 453 | 18563009/0 | 1 | MOTORE RST | MOTOR RST | MOTEUR RST | MOTOR RST | 230V (1600W) |
| - | 18563605/0 | 1 | MOTORE ATB | MOTOR ATB | MOTEUR ATB | MOTOR ATB | 230V (1600W) |
| - | 18563607/0 | 1 | MOTORE ATB | MOTOR ATB | MOTEUR ATB | MOTOR ATB | 240V (1600W) |
| 453.1 | 18740051/0 | 1 | VENTOLA PER MOTORE RST | FAN MOTOR RST | VENTILATEUR MOTEUR RST | LÜFTER MOTOR RST | |
| - | 18740054/0 | 1 | VENTOLA PER MOTORE ATB | FAN MOTOR ATB | VENTILATEUR MOTEUR ATB | LÜFTER MOTOR ATB | |
| 453.2 | 18222045/0 | 1 | CONDENSATORE 16 µF | CONDENSER 16 µF | CONDENSEUR 16 µF | KONDENSATOR 16 µF | (ATB) |
| - | 18222038/0 | 1 | CONDENSATORE 20 µF | CONDENSER 20 µF | CONDENSEUR 20 µF | KONDENSATOR 20 µF | (RST) |
| 454 | 12735410/0 | 4 | VITE | SCREW | VIS | SCHRAUBE | |
| 455 | 12583500/0 | 4 | GROWER | GROWER | GROWER | FEDERRING | |
| 456 | 12293200/0 | 4 | DADO | NUT | ECROU | MUTTER | |
| 457 | 22207211/3 | 1 | FLANGIA | FLANGE | BRIDE | FLANSCH | |
| 458 | 22720360/1 | 1 | SCHERMO VENTILAZIONE | VENTILATION SCREEN | ECRAN VENTILATION | LÜFTUNGSSCHIRM | |
| 459 | 12793700/0 | 4 | VITE | SCREW | VIS | SCHRAUBE | |
| 460 | 12139440/0 | 1 | LINGUETTA | FEATHER | CLAVETTE | KEIL | |



GLOBAL GARDEN PRODUCTS

5

05D_001

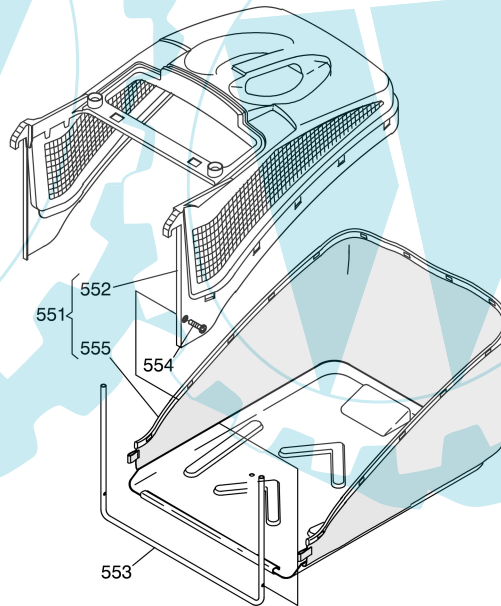
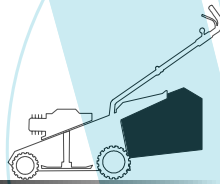


05T_013

| Pos. | Code | Q.ty | Descrizione | Description | Description | Beschreibung | Remarks |
|------|------------|------|-------------------|----------------|---------------|-----------------|---------|
| 501 | 22463186/2 | 1 | MOZZO | HUB | MOYEU | HALTER | |
| 502 | 81004341/3 | 1 | COLTELLO STANDARD | BLADE STANDARD | LAME STANDARD | MESSER STANDARD | (41 cm) |
| - | 81004396/0 | 1 | COLTELLO ALETTATO | BLADE WINGED | LAME AILETTÉE | MESSER FLÜGEL | (41 cm) |
| - | 81004346/3 | 1 | COLTELLO STANDARD | BLADE STANDARD | LAME STANDARD | MESSER STANDARD | (46 cm) |
| - | 81004397/0 | 1 | COLTELLO ALETTATO | BLADE WINGED | LAME AILETTÉE | MESSER FLÜGEL | (46 cm) |
| 503 | 12583500/0 | 2 | GROWER | GROWER | GROWER | FEDERRING | |
| 504 | 12793101/0 | 2 | VITE | SCREW | VIS | SCHRAUBE | |
| 505 | 81004352/0 | 1 | VITE | SCREW | VIS | SCHRAUBE | |

6

06D_003



06T_003

| Pos. | Code | Q.ty | Descrizione | Description | Description | Beschreibung | Remarks |
|------|------------|------|------------------|------------------------|------------------------|--------------------|---------|
| 551 | 91000010/1 | 1 | SACCO, COMPLETO | GRASSCATCHER, COMPLETE | SAC, COMPLETE | SACK, KOMPLETTE | |
| 552 | 22486093/0 | 1 | SACCO, PARTE SUP | GRASS-BOX, UPPER PART | SAC, PARTIE SUPERIEURE | KORB, OBERTEIL | |
| 553 | 22608523/0 | 1 | RINFORZO INF | STIFFENING LOWER | RÉNFORCEMENT INF | VERSTÄRKUNG UNTERE | |
| 554 | 12728445/0 | 2 | VITE | SCREW | VIS | SCHRAUBE | |
| 555 | 81002195/0 | 1 | SACCO, TELA | BOX, FABRIC | SAC, TOILE | SACK, TUCK | |